



Solar Tracker (TLP2-SFB)

Installation Guide



Proper installation of the TLP2-SFB can have a major impact on the device's performance. It is recommended that installers be familiar with the installation process prior to installing the device.


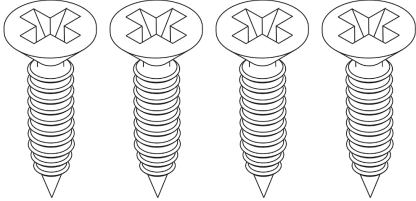
Installation planning:

Plan the installation before drilling any holes, determine the location of each hardware component will be. Ensure that the device will have full and unobstructed exposure to sunlight. The tracker will need to be installed on a solid attached surface. An installation that violates the environmental specifications of the device will void the warranty.

The best way to ensure a trouble-free installation is to consider your options and make some decisions before you start:

- Verify that the device will fit in the desired location before drilling any holes.
- Understand how the device and asset are used to ensure that the Solar Panel won't be obstructed during normal operation.
- Ensure you have access to the device location to make sure you can access if needed in the future.

Equipment list:

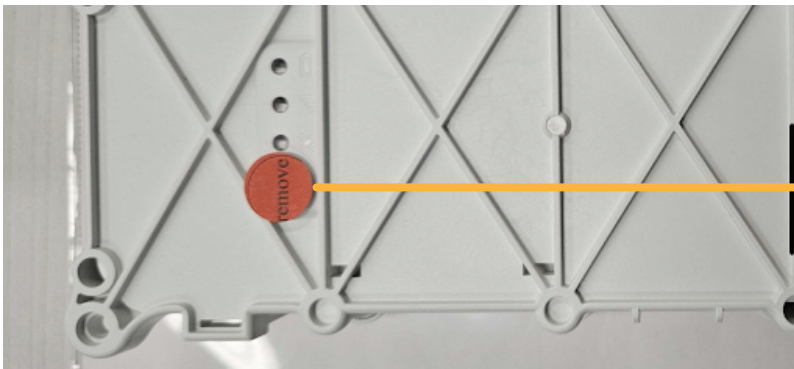
| Solar Tracker | Self-Tapping Screw Attachment Kit |
|---|---|
|  |  <p data-bbox="742 551 1307 612">4 mm x 12 mm(Diameter * length) 304 stainless steel, Phillips truss head screw</p> |

Needed installation tools and materials:

- Cordless Drill
- Drill Bit
- Magnetic Phillips Screw Bit
- Scratch Awl
- Safety Protective Wear

Activation:

Important: This tracker is shipped with a sticker covering the light sensor on the back of the device.

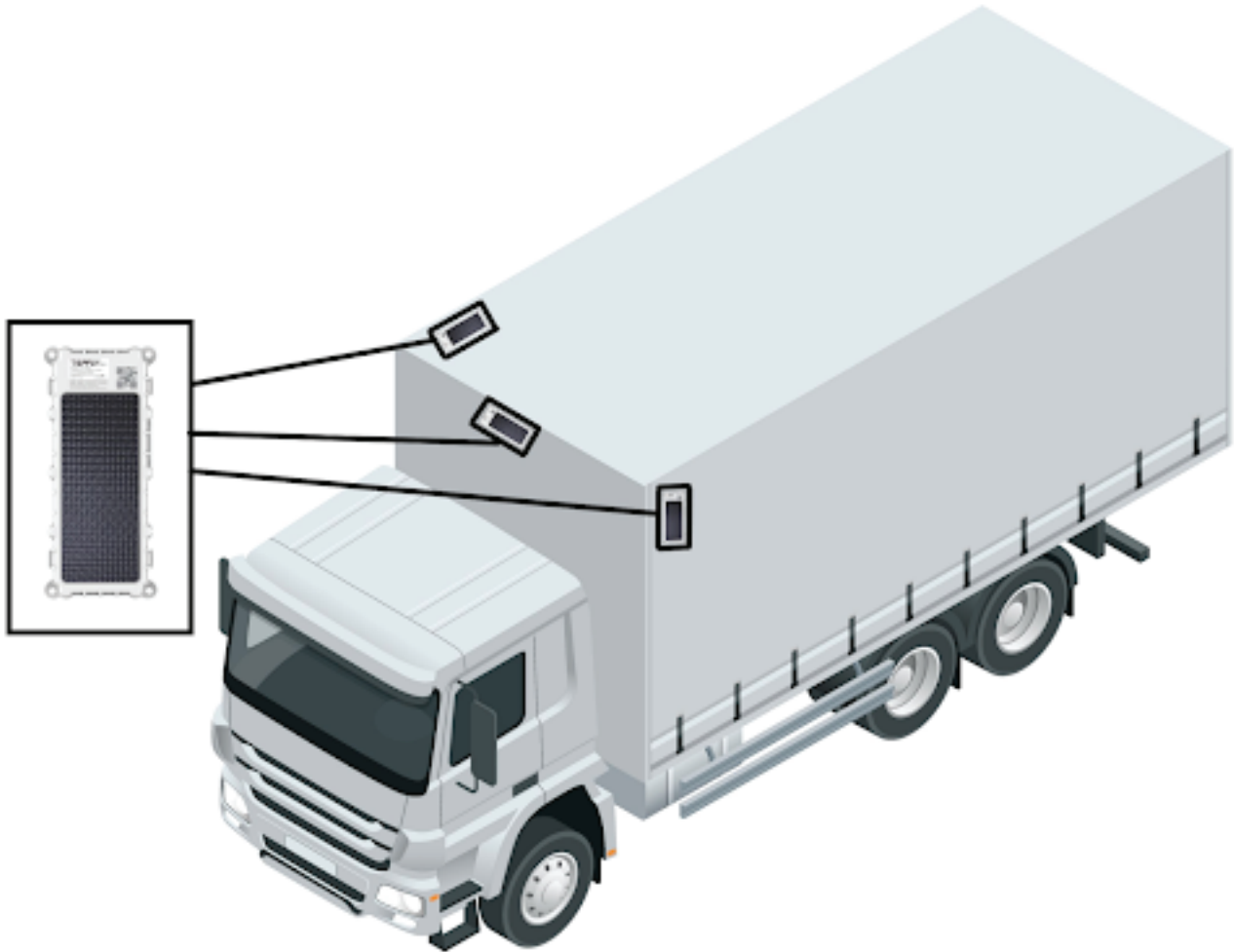


You must remove the sticker on the light sensor and expose the light sensor to light until the LEDs next to the light sensor start to flash.

Recommended installation locations:

Roof/Ceiling Mount
Forward/Side Vertical Mount

* **CAUTION:** Do not install in an area where the solar panel may be struck with road debris and crack the solar cell. Be careful to mount in a place where the cell will not accumulate dust/dirt/oil/grease buildup.



How to install:

The device has been delivered with 4 self-tapping screws which are recommended for installation. If you are installing with other mounting materials such as rivets, please test to make sure the tracker is not subject to any vibration or the mounting materials will not slip through the mounting holes.

Do not use adhesive to attach the tracker to the asset, as this will damage the tracker.

Example instructions for a Nose Mount Trailer installation:

1. Tag equipment with appropriate signage to indicate Lockout/Tagout procedure is in process. Installers should be properly trained in LOTO procedures in accordance with OSHA regulations.
2. Set the parking brake.
3. If the equipment is parked on an incline, chock the wheels.
4. Block or crib equipment that is suspended on jacks in order to prevent falling or shifting.
5. Record the Electronic Serial Number (ESN) located on the device label and the Trailer Number. You will need both numbers to associate the device with the correct trailer in the Fleet Management Software.
6. Select a center, or roadside, device mounting location on the trailer top rail.
7. Remove the bottom sticker covering the light sensor to activate the tracker. Make sure the LED's are flashing or turned on after the sticker is removed to ensure the device is on. If there is not enough light in the location, you can use a flashlight to shine on the light sensor to activate it.
8. At each marked location, drill a 9/64" hole.
9. Install the four (4) mounting screws through the mounting flanges and into the trailer's top rail.
10. Tighten the screws to secure device installation.
11. Confirm in the Fleet Telematics Software that the device is reporting its location. May take up to 10 minutes for the device to be first recognized on the platform.

